

APPLICATION:

JOB NAME:

QUANTITY: ITEM NO.

PRODUCT NAME:

BACKFLOW PREVENTER

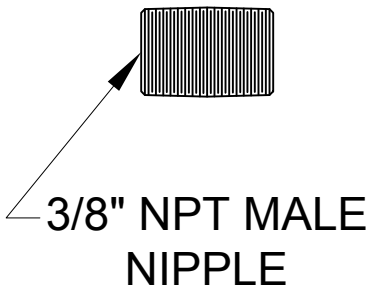
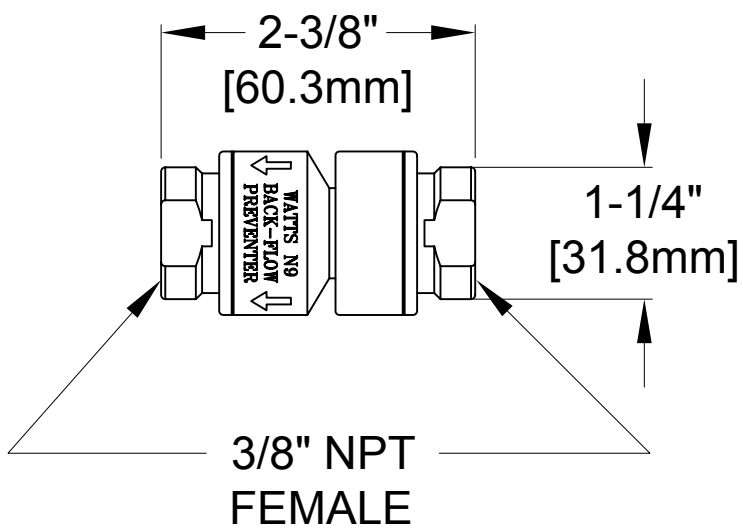
SPECIAL CONFIGURATION
CHECK BASE MODEL AND OPTIONS

MODEL:

2955-8000

OPTIONS OR MODIFICATIONS:

OTHER _____



- FEATURES:
- * ATMOSPHERIC VENT
 - * FOR IN-LINE CONTINUOUS PRESSURE APPLICATIONS
 - * FOR EXPOSED SERVICEABLE INSTALLATIONS
 - * DOUBLE CHECK DESIGN
 - * NIPPLE CAN BE SCREWED INTO EITHER END
- SYSTEM LIMITS
- * TEMP: 40°F MIN. TO 140°F MAX.
 - * PRESSURE 200 PSI MAX. STATIC
- SHIPPING WEIGHT
- * 1.0 LBS

FISHER

FISHER MANUFACTURING COMPANY
TOLL FREE: 800-421-6162 - FAX: 800-832-8238
information@fisher-mfg.com - www.fisher-mfg.com